



*About the Crate Acoustic
CA125:*

Designed for the performing artist, Crate's *CA125 Acoustic Amplifier* gives you **more** of what you want. More power. More clarity. More control. And, more freedom. Imagine: microphone quality sound, *without feedback*. And without being "chained" to a mic stand!

More power: twin 50-watt RMS power amplifiers drive a pair of specially designed high fidelity 8" low frequency transducers for plenty of volume and low end punch.

More clarity: a separate 25-watt RMS power amp drives a highly efficient Piezo tweeter for clean crisp highs and natural midrange blend. A tweeter level control on the rear panel allows you to adjust the high frequency output to suit your taste.

More control: three independent channels, each with its own gain and reverb/effects controls. The main Instrument channel features an "Active/Piezo" switch to properly match the pickups of your instrument, plus a three-band rotary EQ with variable contour – for total control of the critical midrange frequencies. An easy-to-use feedback elimination circuit with frequency select and cut controls lets you kill feedback without sacrificing sound quality. Plus a footswitchable chorus with depth and rate controls.

The Vocal/Aux channel offers both low and high impedance inputs for both kinds of

microphones, with phantom power on the Low-Z input. The third "Aux" channel allows the use of a rhythm machine, background tape, or another mic or instrument.

Still more: The master section features reverb and effects return controls, a five-band graphic EQ, and the master level control. A footswitch jack on the rear panel provides control for reverb and chorus. Level-control-able XLR and 1/4" balanced line outs allow you to patch into house sound boards or recording consoles, plus an effects loop line-in/line-out setup allows connection of external effects.

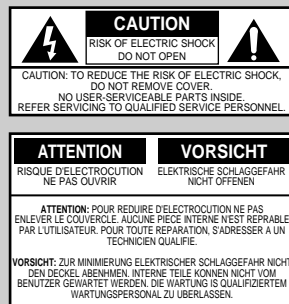
The *CA125* was designed, evaluated, tweaked and redesigned by musicians and music loving engineers. Highly sophisticated computer driven assembly machines and highly skilled assemblers use only the finest components to produce each amp. Every cabinet is hand-built and hand-covered by trained craftsmen. The final assembled product is tested – and played – by skilled musician/technicians. It is only *after* the amplifier has passed this barrage of picky people that it gets packed up and shipped out.

The *CA125 Acoustic Amplifier*. Designed to be its best, so you can ***sound your best!***

Crate Acoustic amplifiers are Made With Pride in the U.S.A.

To get this amplifier to sound its best, read this owner's guide prior to its use.

To keep this amplifier looking its best, avoid abrasive cleansers. Wipe the cabinet clean using a slightly dampened cloth. Never use brass cleaners on the hardware since they could damage their protective coatings.



THIS EQUIPMENT HAS BEEN DESIGNED AND ENGINEERED TO PROVIDE SAFE AND RELIABLE OPERATION. IN ORDER TO PROLONG THE LIFE OF THE UNIT AND PREVENT ACCIDENTAL DAMAGES OR INJURY, PLEASE FOLLOW THESE PRECAUTIONARY GUIDELINES:

CAUTION: TO REDUCE THE RISK OF ELECTRIC SHOCK, DO NOT DEFEAT OR REMOVE THE GROUND PIN OF THE POWER CORD; CONNECT ONLY TO A PROPERLY GROUNDED AC POWER OUTLET.

WARNING: TO REDUCE THE RISK OF FIRE OR ELECTRIC SHOCK, DO NOT EXPOSE THIS EQUIPMENT TO RAIN OR MOISTURE.

CAUTION: NO USER-SERVICEABLE PARTS INSIDE. REFER SERVICING TO QUALIFIED SERVICE PERSONNEL.

CAUTION: OUR AMPLIFIERS ARE CAPABLE OF PRODUCING HIGH SOUND PRESSURE LEVELS. CONTINUED EXPOSURE TO HIGH SOUND PRESSURE LEVELS CAN CAUSE PERMANENT HEARING IMPAIRMENT OR LOSS. USER CAUTION IS ADVISED AND EAR PROTECTION IS RECOMMENDED IF UNIT IS OPERATED AT HIGH VOLUME.

EXPLANATION OF GRAPHICAL SYMBOLS:



"DANGEROUS VOLTAGE"
"VOLTAJE PELIGROSO"
"DANGER HAUTE TENSION"
"GEFAHLICHE SPANNUNG"



"IT IS NECESSARY FOR THE USER TO REFER TO THE INSTRUCTION MANUAL"
"ES NECESARIO QUE EL USUARIO SE REFIERA AL MANUAL DE INSTRUCCIONES."
"REFERREZ-VOUS AU MANUAL D'UTILISATION"
"UNBEDINGT IN DER BEDIENUNGSANLEITUNG NACHSCHLAGEN"

Crate continually develops new products, as well as improves existing ones. For this reason, the specifications and information in this manual are subject to change without notice.

Technical Specifications:

Output Power Rating: 125 watts RMS total system power

Woofer Amp: 2 x 50 watts RMS @1% THD

Tweeter Amp: 25 watts RMS @1% THD

Inst. Channel: Low: +/-15dB @ 80Hz

Mid: +/-15dB @ 400-1.2kHz (Contour)

High: +/-15dB @ 10kHz

Input Impedance: 25k ohm (Active), 2.2M ohm (Piezo)

Input Sensitivity: 22mV RMS (Active), 9mV RMS (Piezo)

Sens. to Eff Send/Line out: 70mV

Max Input Signal: 6v RMS (17v peak to peak)

Feedback Elimination: Freq: variable from 80Hz to 4kHz
Cut: variable from -0 to -30dB

Voc. Ch: Input Impedance: 3k ohm (Lo-Z), 20k ohm (Hi-Z)

Input Sensitivity: 3mV RMS (Lo-Z), 15mV RMS (Hi-Z)

Sens. to Eff Send/Line out: 9mV (Lo-Z), 50mV (Hi-Z)

Max Input Signal: 10v RMS (28v peak to peak)

Aux. Ch: Input Impedance: 20k ohm

Input Sensitivity: 15mV RMS

Sens. to Eff Send/Line out: 50mV

Max Input Signal: 10v RMS (28v peak to peak)

Master EQ's: +/-12dB @ 80Hz, 330Hz, 1kHz
4kHz, 10kHz

Effects Loop: Line Out 1v RMS,
Line In 1v RMS

Eff Return to Line Out Sens: 50mV

Eff Return In. Impedance: 11k ohm

Eff Send Out. Impedance: 2.2k ohm

Line Out Out. Impedance: 220 ohm (Lo-Z), 2.2k ohm (Hi-Z)

Internal Woofers: 2 x 8" w/polypropylene cones,
rubber surrounds, 30oz magnet,
1" voice coil, 8 ohms, 500w RMS,
95dB 1w 1m

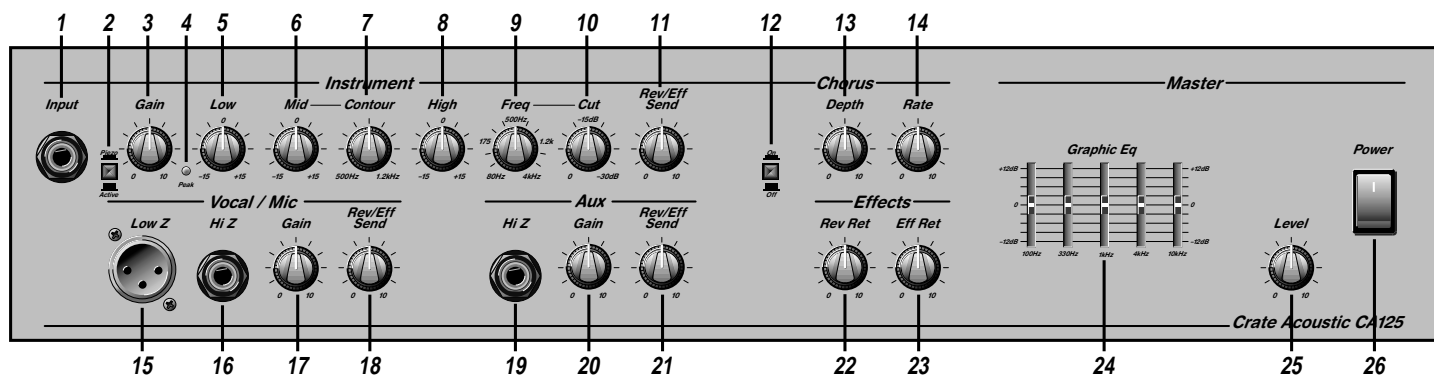
Internal Tweeter: High efficiency Piezo,
110dB 1w 1m

Internal Crossover: Active electronic type

Power Requirements: 120VAC, 60Hz, 160VA;
100/115VAC, 50/60Hz, 160VA;
230VAC, 50/60Hz, 160VA

Size and Weight: 16-3/4"H x 21"W x 10-1/2"D, 42 lbs.

On the Front Panel:



The Instrument channel:

- 1: **Input.** The signal output from your acoustic instrument may be connected here by means of a shielded instrument cable.
- 2: **Active/Piezo switch.** Use this switch to select the type of pickup on your instrument. For active electronic pickups, set the switch to "active" (switch out). For passive/magnetic pickups, set it to "piezo" (switch depressed).
- 3: **Gain.** This serves as the input level control for the instrument channel of the amplifier. For the best signal to noise ratio set this control so the Peak LED (#4) flashes when playing your instrument fairly hard.
- 4: **Peak LED.** This LED flashes when the signal level into the preamp approaches clipping. Adjust the Gain control (#3) until a strong signal from your instrument causes this LED to flash.
- 5: **Low.** This serves as the instrument channel's primary bass control. Adjust this control to get the best sounding bass response for your instrument. Excessive boost of the low control can cause an unnatural howling and should be avoided.
- 6: **Mid.** This serves as the instrument channel's primary midrange control. Adjust this control to get the best projection and midrange tones for your instrument. The center point of the mid control is chosen by the setting of the contour control (#7).
- 7: **Contour.** Use this control to set the center point of the mid control (#6). Set this control at the frequency which gives you the most natural-sounding midrange tones.
- 8: **High.** This serves as the instrument channel's primary treble control. Adjust this control so your high notes and harmonic overtones are lively but not overpowering.
- 9: **Freq.** Use this control along with the Cut control (#10) to eliminate instrument feedback. For information on the proper use of this control, please read the section entitled "To Eliminate Instrument Feedback."
- 10: **Cut.** Use this control along with the Freq control (#9) to eliminate instrument feedback. For information on the proper use of this control, please read the section entitled "To Eliminate Instrument Feedback."
- 11: **Rev/Eff send.** Use this control to adjust the amount of internal reverb and/or external effect (if used) for the instrument channel.
- 12: **Chorus On/Off switch.** This switch, when depressed, applies the internal chorus effect to the instrument channel.
- 13: **Chorus Depth.** Use this control to adjust the magnitude of the chorus effect. Rotating this control clockwise increases the intensity of the effect.

- 14: **Chorus Rate.** Use this control to adjust the rate of the chorus effect. Rotating this control clockwise increases the rate at which the effect occurs.

The Vocal/Aux channel:

- 15: **Low-Z input.** The signal output from a low impedance microphone may be connected here by means of a shielded, balanced microphone cable terminated with an XLR connector. The Low-Z jack has 15 volts phantom power applied to pins 2 and 3. (Mics not requiring phantom power will not be affected.)
- 16: **Hi-Z input.** The signal output from a high impedance microphone or a line level signal may be connected here by means of a shielded signal cable terminated with a 1/4" tip/sleeve connector.
- 17: **Gain.** This serves as the input level control for the vocal/aux channel of the amplifier. Adjust this control for the best mix with the signals from the other channels.
- 18: **Rev/eff send.** Use this control to adjust the amount of internal reverb and/or external effect (if used) for the vocal/aux channel.

The Aux channel:

- 19: **Hi-Z input.** The signal output from a high impedance microphone or a line level signal may be connected here by means of a shielded signal cable terminated with a 1/4" tip/sleeve connector.
- 20: **Gain.** This serves as the input level control for the aux channel of the amplifier. Adjust this control for the best mix with the signals from the other channels.
- 21: **Rev/eff send.** Use this control to adjust the amount of internal reverb and/or external effect (if used) for the aux channel.

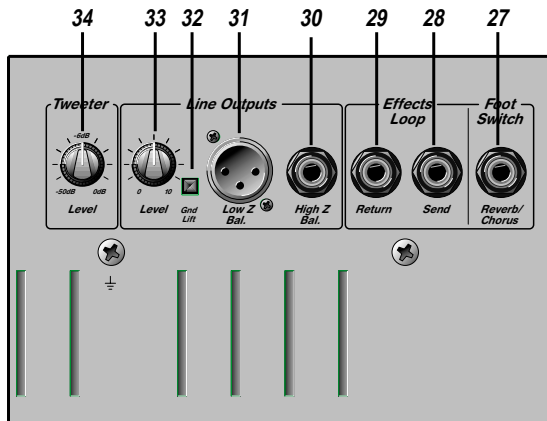
The Effects Section:

- 22: **Rev Ret.** Use this control to adjust the amount of the internal reverb – the further you turn to the right the deeper the effect.
- 23: **Eff Ret.** Use this control to adjust the amount of effect applied from an external signal processor (if used).

The Master Section:

- 24: **Graphic EQ.** Use these sliders to control the output frequencies indicated below each control. The center position of each control is flat (no boost or cut). Use the graphic EQ to adjust the output of the CA125 to best suit your tastes and to compensate for room acoustics.
- 25: **Level.** Use this control to set the overall output level of the amplifier.
- 26: **Power Switch.** Use this switch to apply power to the amplifier: the amp is on when the top of the switch is depressed, off when the bottom of the switch is depressed. This switch will illuminate when the amplifier is on.

On the Rear Panel:



- 27: Footswitch.** Connect the supplied two-button footswitch here for remote on/off control of the internal reverb and chorus. (When connected, the footswitch overrides the front panel chorus on/off switch.)
Note: This is a STEREO jack: tip controls the chorus, ring controls the reverb, sleeve is ground. Use only a footswitch equipped with a *stereo* 1/4" plug.
- 28: Effects Loop Send.** When using an external signal processor, connect this jack to the input of the effect by means of a shielded signal cable.
- 29: Effects Loop Return.** When using an external signal processor, connect this jack to the output of the effect by means of a shielded signal cable.
- 30: High Z Bal.** Use this jack to connect a high impedance, line level signal to a house sound board, a recording console or an external power amplifier by means of an 1/4" stereo plug-terminated cable. (Ring is signal +, tip is signal -, and sleeve is ground.)
- 31: Low Z Bal.** Use this jack to connect a low impedance, line level signal to a house sound board, a recording console or an external power amplifier by means of an XLR-terminated cable. (Pin 1 is ground, pin 2 is signal +, and pin 3 is signal -)
- 32: Ground Lift.** This switch, when depressed, electronically disconnects the low Z balanced output jack's chassis ground connection. If you experience excessive noise when using the low Z balanced output jack, depress this switch.

- 33: Line Out Level.** Use this control to adjust the output level of the line out signal. (This control works independently from the amplifier's master level control.)
- 34: Tweeter Level.** Use this control to adjust the signal output level from the CA125's internal tweeter. Rotating this control counter-clockwise reduces the tweeter's output level.

Not Shown:

Power cord. Connect the end of this cord to a suitable source of line voltage. Refer to the voltage information on the back of the amplifier for its voltage and current requirements.

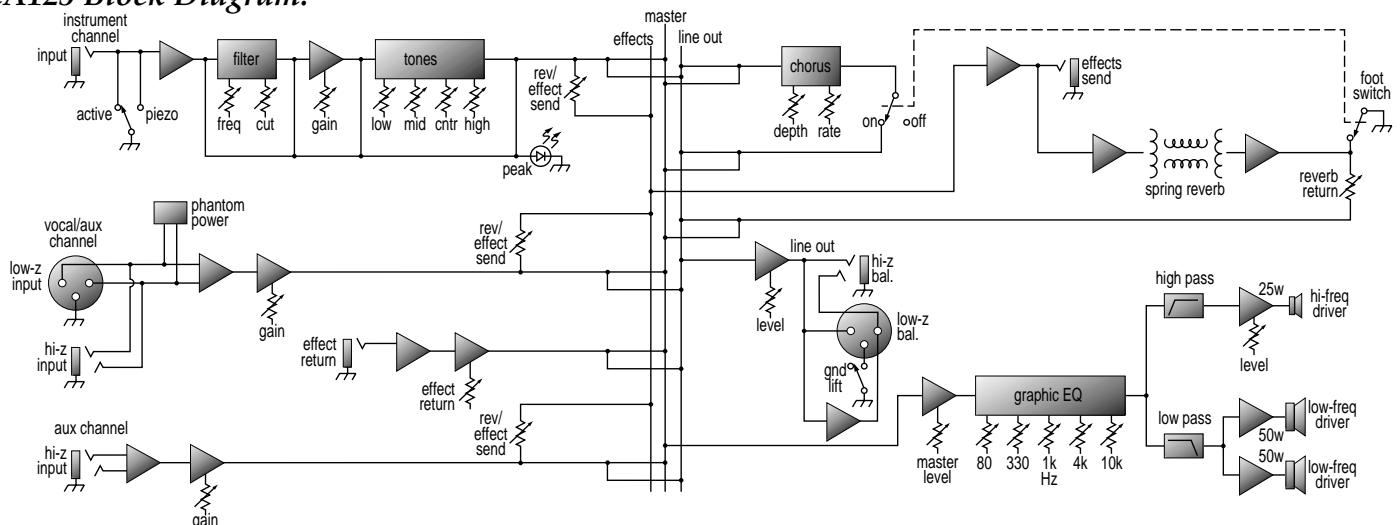
Note: This is a grounded plug. **To avoid the possibility of electric shock, DO NOT defeat the ground connection in any way!**

To Eliminate Instrument Feedback:

One of the most common problems encountered when amplifying acoustic instruments, especially in small environments, is feedback. Acoustic instruments typically have inherent qualities which cause resonant feedback at specific frequencies. Instrument tone controls and sound board equalizers are helpful in getting rid of the problem, but they typically operate around relatively wide frequency bands. This almost always means the musician must sacrifice sound quality in his quest to do away with feedback. But since Crate's feedback elimination circuit isolates only the offending frequency, instrument feedback from the CA125 can be eliminated without affecting the overall sound.

Chances are, you may not have a problem with feedback at all. In that case, leave the CA125's Freq and Cut controls fully counter-clockwise. However, if you do encounter feedback while playing, set the Cut control to -30dB (fully clockwise) and adjust the Freq control until the feedback is gone. Reduce the Cut to the 12 o'clock position and readjust the Freq control as needed. Continue reducing the Cut control and readjusting the Freq control until there is no more feedback with the Cut control as far counter-clockwise as possible. This approach effectively eliminates instrument feedback without sacrificing the quality of your sound.

CA125 Block Diagram:





CRATE

www.crateamps.com

©1999 SLM Electronics
A Division of St. Louis Music Co.
1400 Ferguson Avenue
St. Louis, MO 63133

P/N 47-831-01
09/99



recyclable